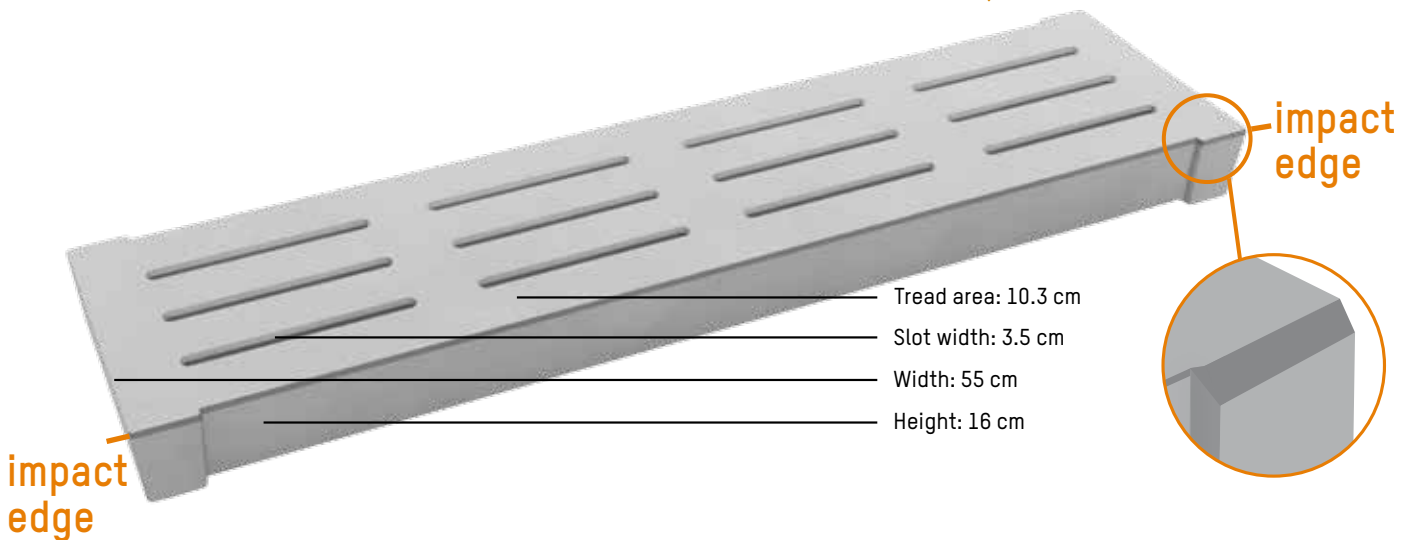




QUAD SLATTED FLOOR

www.thye-lokenberg.com 



- ▶ Usable in all areas
- ▶ Animal weight: up to 850 kg or passable with 3 tons or 5 tons axle load
- ▶ Surface with broom finish
- ▶ Two different slot widths in one element
- ▶ Bearing: 12 cm
- ▶ Load class: A2/A3
- ▶ Concrete quality: C 40/50
- ▶ Manufactures according to the requirements of DIN EN 12737
- ▶ Slot width: 3.5 cm
- ▶ Standardly deburred slot edges
- ▶ Chamfered abutting edges



thye-lokenberg

QUAD SLATTED FLOOR

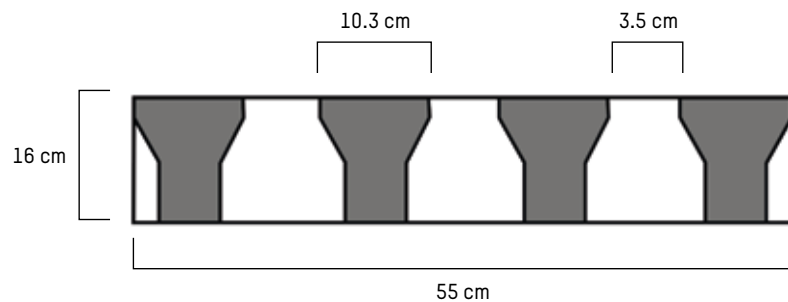


The Quad slatted floor is because of two different slot widths ideal for young and livestock and can be used in all areas and combined with other slatted floors. Optimum cleanliness is ensured by the longitudinal slot array with excrement tear-off edge.

A high maturity and stability is guaranteed by the animal-friendly interface. The slot width is 3.5 cm according to the German „Haltungsverordnung“. Because of the lower tread width, the share of the slots are raised.

SIZES

Length in m	Weight in kg/piece	Weight in kg/m ²
0.80	107	244
0.90	121	244
1.00	134	244
1.10	148	244
1.20	161	244
1.30	175	244
1.40	188	244
1.50	201	244
1.60	215	244
1.70	228	244
1.80	242	244
1.90	255	244
2.00	268	244
2.10	282	244
2.20	295	244
2.30	309	244
2.40	322	244
2.50	336	244
2.60	349	244
2.70	362	244
2.80	376	244
2.90	389	244
3.00	403	244
3.10	416	244
3.20	429	244
3.30	443	244
3.40	456	244
3.50	470	244
3.60	483	244
3.70	497	244



Quad slatted floor in profile

The illustrations may differ from the actual version.
Subject to technical changes.

Manufactured according to the requirements of DIN EN 12737



Thye-Lokenberg Deutschland GmbH
Erlenweg 4
49434 Neuenkirchen-Vörden

Fon: +49 5493 99219-0
Fax: +49 5493 1822
E-Mail: info@thye-lokenberg.de

Thye-Lokenberg Polska sp.z.o.o.
ul. Osiedlowa 27
PL 68-114 Tomaszowo

Fon: +48 68 3606-199
Fax: +48 68 3606-299
E-Mail: thye@thye-lokenberg.pl