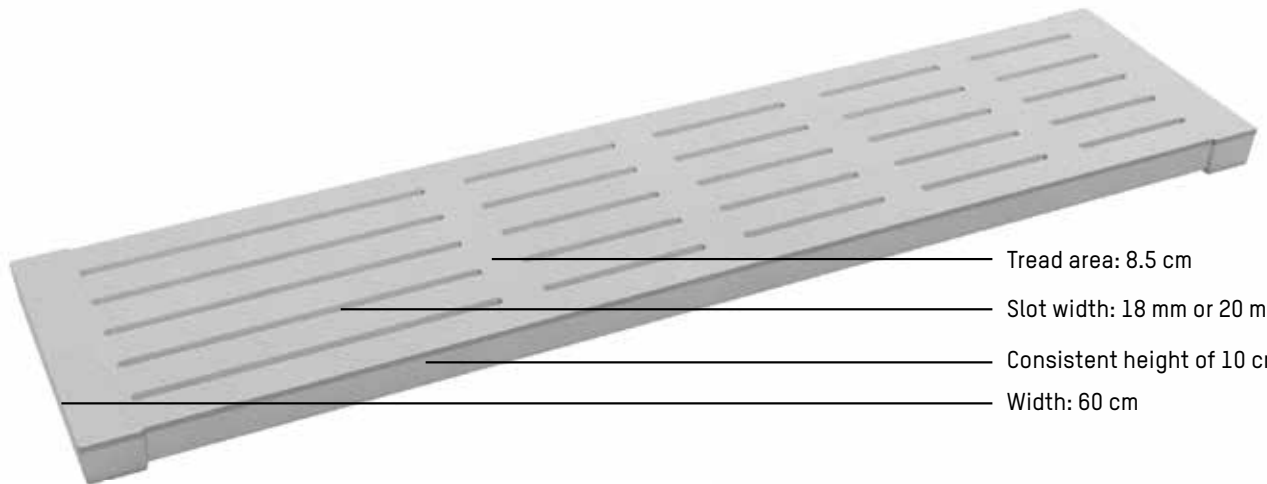




# SLATTED FLOORS FOR FATTENING PIGS

Width:  
60 cm

[www.thye-lokenberg.com](http://www.thye-lokenberg.com) 



- ▶ Column and tread widths according to the current German "Haltungsverordnung"
- ▶ Available in the following versions: partially closed and closed with open butt joint
- ▶ Load class: B2 / B3
- ▶ Bearing at least 7 cm
- ▶ Standardly deburred edges slot
- ▶ Concrete quality: C 40/50
- ▶ Manufactured according to the requirements of DIN EN 12737



**thye-lokenberg**

The pig slatted floor is characterized by its standardly height of 10 cm and is perfectly combined with other slatted floors in 120 cm width.

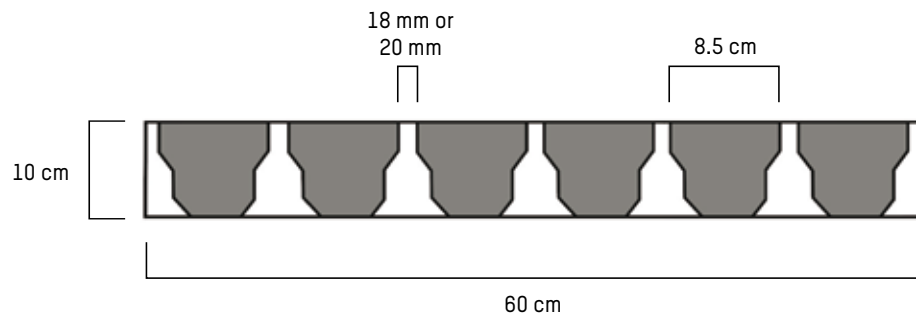
Animal weights up to 250 kg can load the slatted floor.

A high maturity and stability is guaranteed by the animal-friendly interface. The slot widths can be 18 mm and 20 mm.

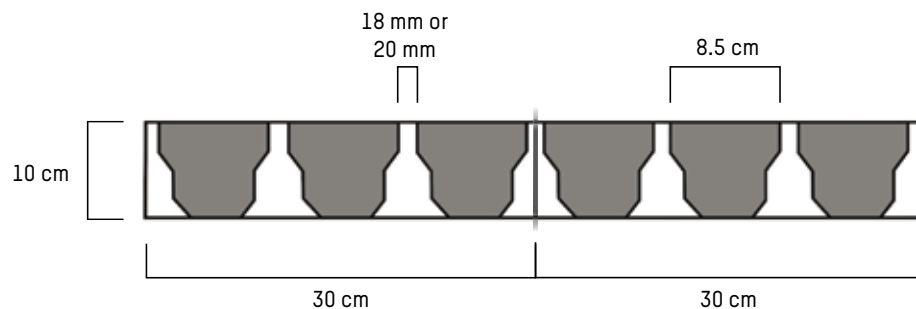
The pig slatted floor has a width of 60 cm. On request it is also available with a width of 50 cm or as a closed element.

## SIZES

Length	Weight in kg/piece	Weight in kg/m <sup>2</sup>
0.7	70	166
0.8	80	166
0.9	90	166
1.0	100	166
1.1	110	166
1.2	120	166
1.3	130	166
1.4	137	166
1.5	150	166
1.6	160	166
1.7	170	166
1.8	180	166
1.9	190	166
2.0	200	166
2.1	209	166
2.2	219	166
2.3	229	166
2.4	239	166
2.5	249	166



Pig slatted floor in profile



Available: Slatted floor with a width of 30 cm as fitting piece.



Concrete quality C 45/55  
Certificate Number: K46523

The illustrations may differ from the actual version.  
Subject to technical changes.

Manufactured according to the requirements of DIN EN 12737



Thye-Lokenberg Deutschland GmbH  
Erlenweg 4  
49434 Neuenkirchen-Vörden

Fon: +49 5493 99219-0  
Fax: +49 5493 1822  
E-Mail: [info@thye-lokenberg.de](mailto:info@thye-lokenberg.de)

Thye-Lokenberg Polska Sp. z o.o.  
ul. Osiedlowa 27  
PL 68-114 Tomaszowo

Tel.: +48 68 3606-199  
Fax: +48 68 3606-398  
E-Mail: [thye@thye-lokenberg.pl](mailto:thye@thye-lokenberg.pl)