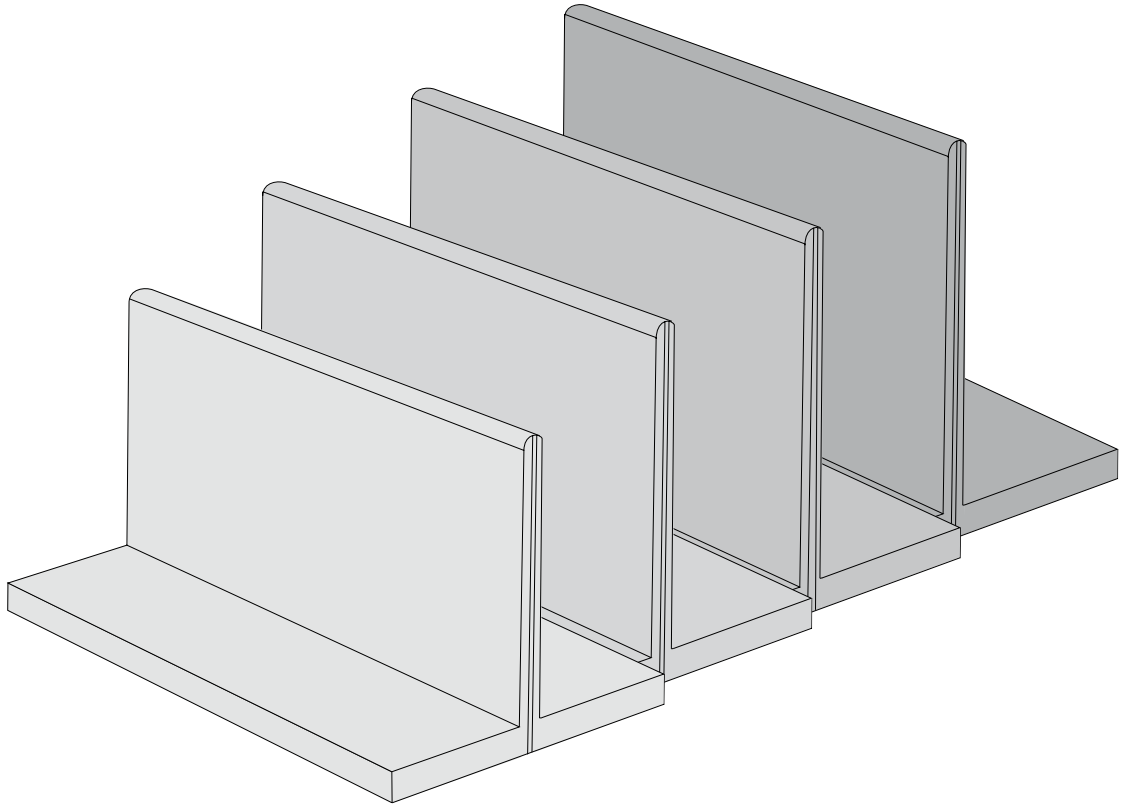


BUNKER SILO PANELS

MODELS T-150, T-200, T-250, T-300

www.thye-lokenberg.com 



- ▶ Manufactured from high-performance C55/67 concrete
- ▶ Capable of bearing up to 15 tonnes axle load
- ▶ Certification and ongoing external quality control
- ▶ 15-year guarantee
- ▶ Standard dimensions available for delivery



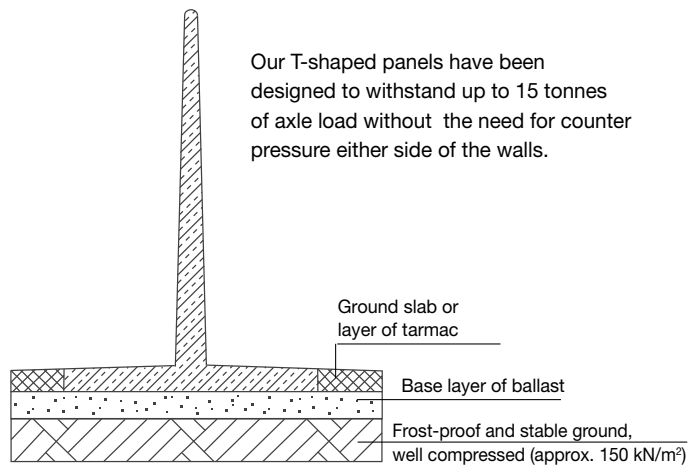

thye-lokenberg

BUNKER SILO PANELS MODELS

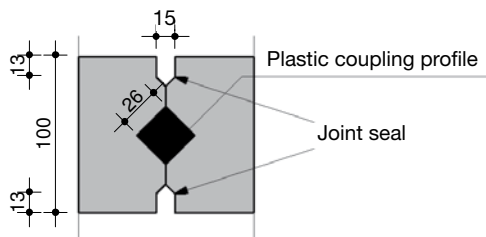
Load capacity/Ground parameters

The T-shaped retaining walls can remain free-standing. However, the base of the panel needs to be set in a layer of tarmac or concrete.

- The walls of the bunker silo must be erected on a level, finished-grade surface.
- Earthwork: Ballast filling layer, max. 30 cm thick. Topping of 5 cm of fine sand, levelling off the top layer so that the T-shaped panels are vertical.
- Maximum load for agricultural commodities (corn/grass) 800 kg/m³



View from above

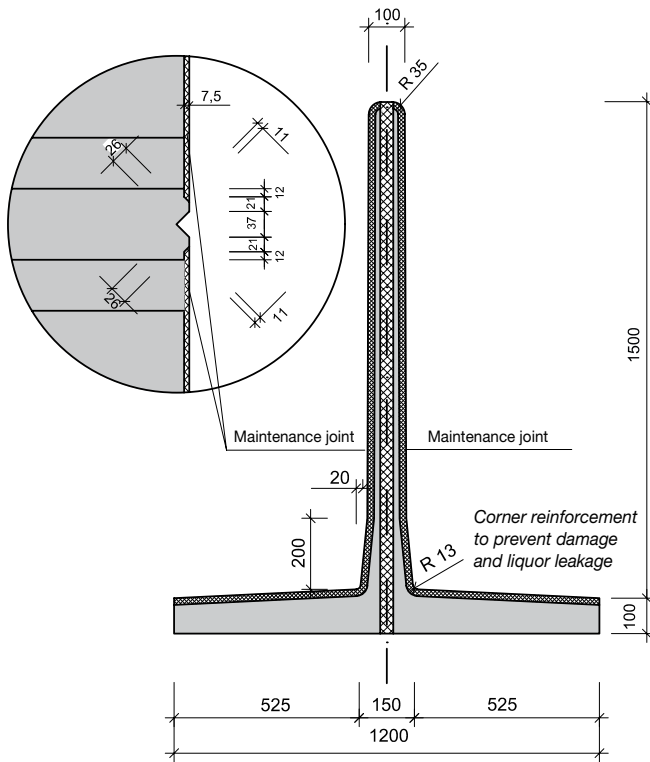


Specifications		
• Concrete quality:	C55/67	DIN EN 1991-1 Eurocode 1
• Environmental category:	XA3 with a max. water to cement ratio of 0.45.	DIN EN 1991-4 Eurocode 1 DIN EN 1992-1 Eurocode 2 DIN EN 1997-1 Eurocode 7
• Steel quality:	B500A	DIN EN 13369: General rules for prefabricated concrete components
• Concrete cover:	C = 30 mm complies with DIN EN 1992-1-1 for environmental categories XC4, XF3, XA1, WF	DIN 11622: Fodder fermenting silos, slurry tanks, biogas plant tanks, bunker silos
• Dimension tolerance:	Length: + 5 /- 5mm Width: + 5 /- 5mm Height: + 5 /- 5mm Curvature: 1.4 mm/m	



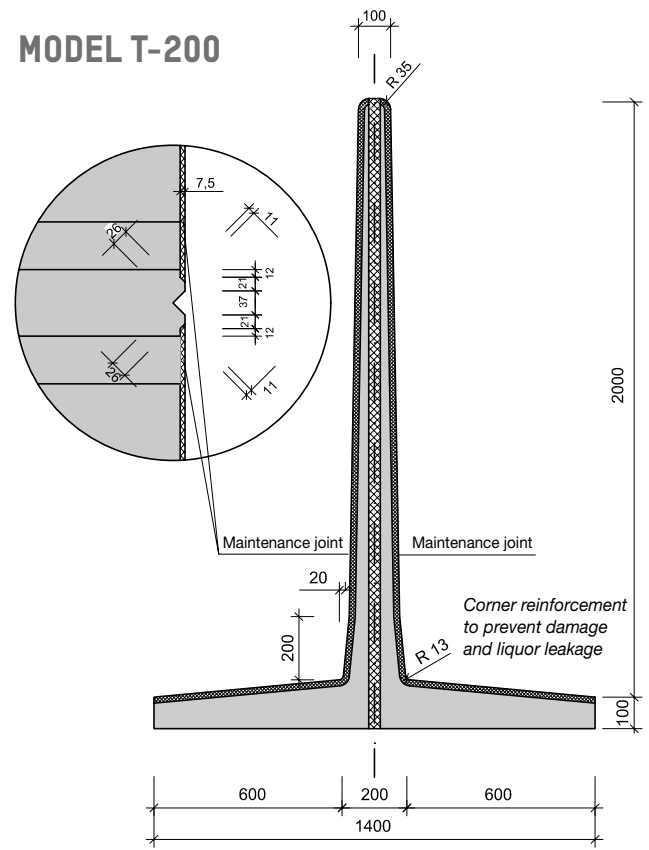


MODEL T-150



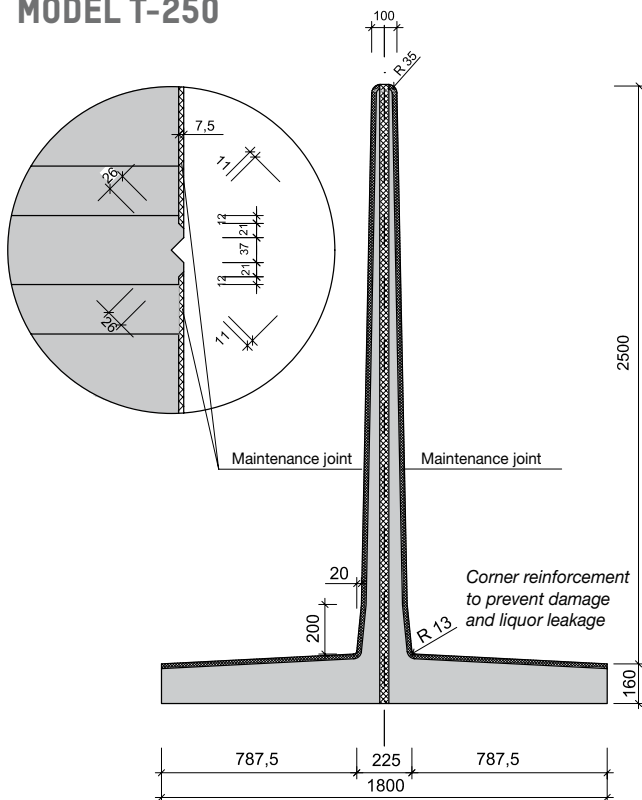
· Length of panel: 400 cm · Weight: 2870 kg

MODEL T-200



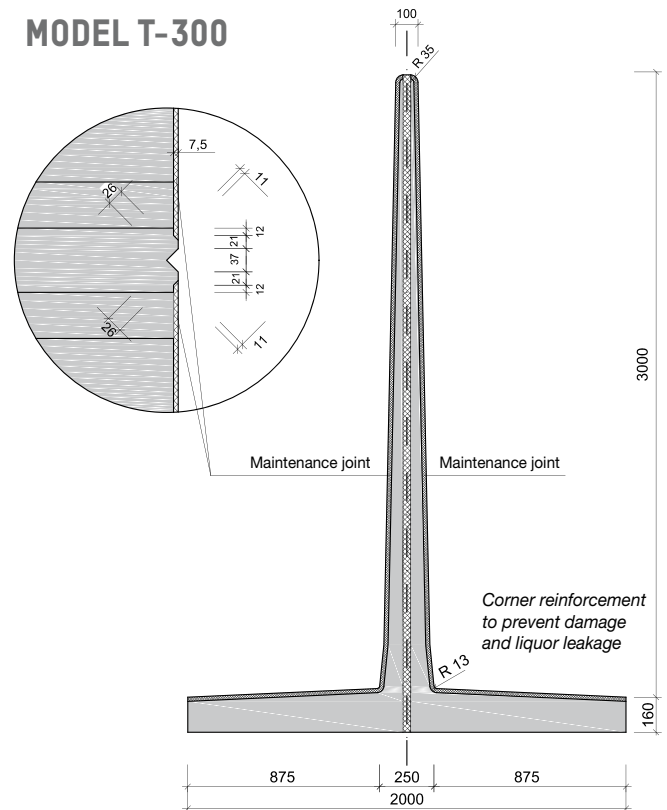
· Length of panel: 400 cm · Weight: 4350 kg

MODEL T-250



· Length of panel: 400 cm · Weight: 6690 kg

MODEL T-300



· Length of panel: 400 cm · Weight: 8140 kg



German factory

Erlenweg 4 · 49434 Neuenkirchen-Vörden



German factory

Meppener Str. 2 · 49597 Rieste



Polish factory

ul. Osiedlowa 27 · PL 68-114 Tomaszowo



Polish factory

ul. Przemysłowa 5 · PL 68-114 Tomaszowo

Thye-Lokenberg Betonwerke GmbH
Erlenweg 4
49434 Neuenkirchen-Vörden

Fon: +49 5493 99219-0
Fax: +49 5493 1822
E-Mail: info@thye-lokenberg.de

Thye-Lokenberg Polska Sp. z o.o.
ul. Osiedlowa 27
PL 68-114 Tomaszowo

Tel.: +48 68 3606-199
Fax: +48 68 3606-398
E-Mail: thye@thye-lokenberg.pl