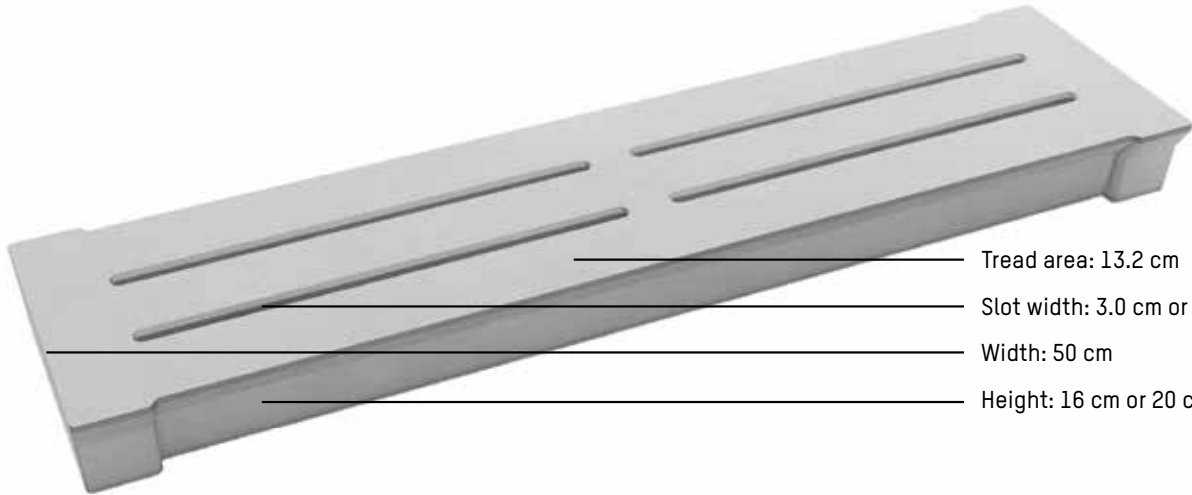




TRIPLET SLATTED FLOOR

www.thye-lokenberg.com 



Tread area: 13.2 cm

Slot width: 3.0 cm or 3.5 cm

Width: 50 cm

Height: 16 cm or 20 cm

- ▶ The slatted floor mostly used in cubicle stables
- ▶ Animal weight: up to 850 kg or passable with 3 tons or 5 tons axle load
- ▶ Surface with broom finish
- ▶ Two different slot widths in one element on request
- ▶ Bearing: 12 cm
- ▶ Load class: A2 / A3
- ▶ Concrete quality: C 40/50
- ▶ Manufactures according to the requirements of DIN EN 12737
- ▶ Standardly deburred slot edges



thye-lokenberg

The triplet slatted floor is fundamentally based on the single and the double beam.

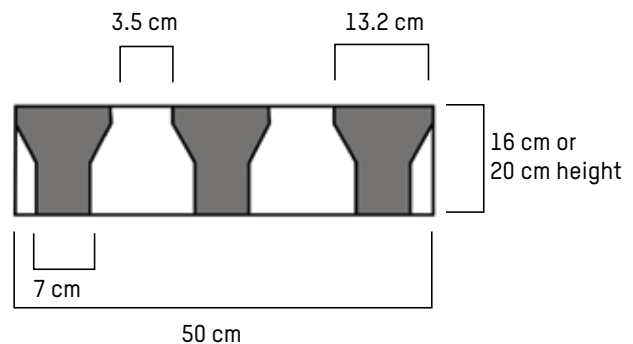
The technical development is evident on the optimization of the ratio of tread area and slot width. It is optimal suitable for high performance dairy cows because it has a wider tread. The triplet slatted floor convinced even in young cattle range due to its excellent properties.

A high maturity and stability is guaranteed by the animal-friendly interface. The slot width is 3.00 cm according to the German „Haltungsverordnung“.

Optionally this floor is available with 3.5 cm slot. The triplet slatted floor is between 1.50 m and 4.00 m available for 850 kg of animal weight or 3 tons or 5 tons axle load. Shorter lengths on request.

SIZES:

Length in m	Weight in kg/piece at 16 cm height	Weight in kg/m ² at 16 cm height	Weight in kg/piece at 20 cm height	Weight in kg/m ² at 20 cm height
1.5	185	247	228	304
1.6	198	247	243	304
1.7	210	247	258	304
1.8	222	247	274	304
1.9	235	247	288	304
2.0	247	247	304	304
2.1	260	247	319	304
2.2	272	247	334	304
2.3	284	247	350	304
2.4	296	247	365	304
2.5	309	247	380	304
2.6	321	247	395	304
2.7	333	247	410	304
2.8	346	247	426	304
2.9	358	247	441	304
3.0	370	247	458	304
3.1	383	247	471	304
3.2	395	247	486	304
3.3	407	247	502	304
3.4	420	247	517	304
3.5	432	247	532	304
3.6	445	247	547	304
3.7	457	247	562	304
3.8	-	-	578	304
3.9	-	-	593	304
4.0	-	-	608	304



Triplet slatted floor in profile.

The illustrations may differ from the actual version. Subject to technical changes.

Manufactured according to the requirements of DIN EN 12737



Thye-Lokenberg Deutschland GmbH
Erlenweg 4
49434 Neuenkirchen-Vörden

Fon: +49 5493 99219-0
Fax: +49 5493 1822
E-Mail: info@thye-lokenberg.de

Thye-Lokenberg Polska sp.z.o.o.
ul. Osiedlowa 27
PL 68-114 Tomaszowo

Fon: +48 68 3606-199
Fax: +48 68 3606-299
E-Mail: thye@thye-lokenberg.pl